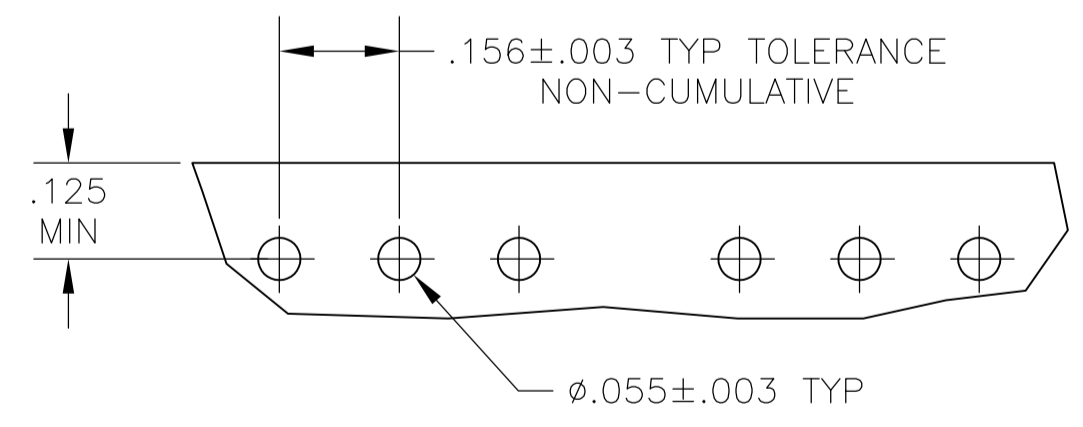
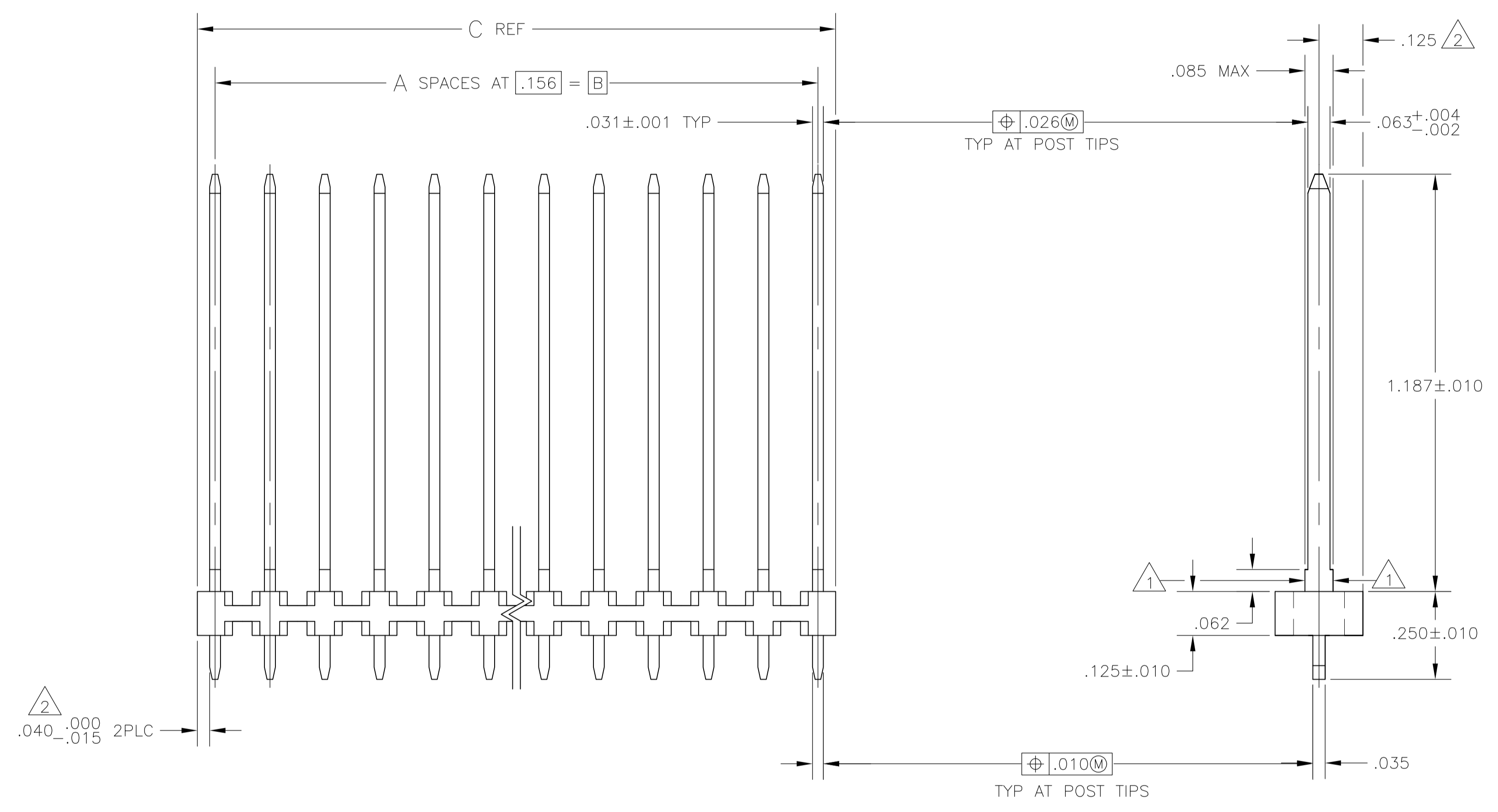
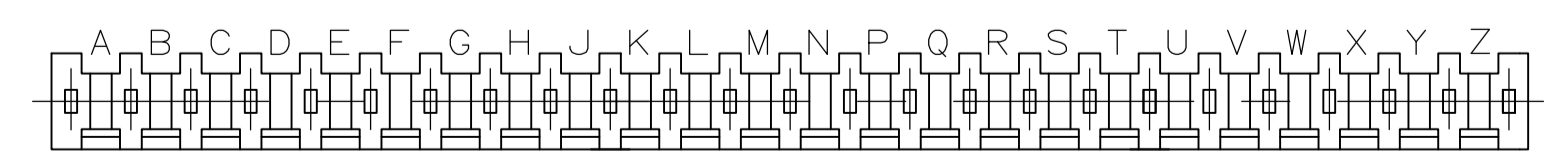


- 1 THESE SURFACES WILL NOT BE PLATED
- 2 THE NOTED DIMENSIONS APPLY AT THE INTERSECTION OF THE POST AND THE HOUSING
- 3 FINISH: POSTS: .000100 - .000200 TIN LEAD OVER .000030 MIN NICKEL
- 4 FINISH: POSTS: .000100 - .000200 MATTE TIN OVER .000030 MIN NICKEL



RECOMMENDED HOLE LAYOUT



KEYWAY LOCATIONS (REF-SEE TABLE)
 (MATING LENGTH OF POST ON NEAR SIDE)
 SCALE: 2:1

	4	A,C	2	.579	.468	3	4	5-86207-9
	4	A,D	2	.735	.624	4	5	5-86207-3
	4	A	1	.423	.312	2	3	5-86207-2
OBSOLETE		A,C,E	3	1.047	.936	6	7	1-87207-0
	3	A,C	2	.579	.468	3	4	87207-9
OBSOLETE		A	1	.267	.156	1	2	87207-8
OBSOLETE		NONE	0	5.415	5.304	34	35	87207-7
OBSOLETE		A,D,G	3	1.359	1.248	8	9	87207-6
OBSOLETE		A,C,E,G	4	1.203	1.092	7	8	86207-5
OBSOLETE		A,C,E	3	.891	.780	5	6	87207-4
	3	A,D	2	.735	.624	4	5	86207-3
	3	A	1	.423	.312	2	3	86207-2
OBSOLETE		A,C,E,G,J	5	1.515	1.404	9	10	86207-1
FINISH		KEYWAY LOCATIONS	NO OF KEYWAY	C	B	A	NO OF POSN	ASSEMBLY PART NUMBER

THIS DRAWING IS A CONTROLLED DOCUMENT.

DIMENSIONS: INCHES

TOLERANCES UNLESS OTHERWISE SPECIFIED:

0 PLC	± -
1 PLC	± -
2 PLC	± -
3 PLC	± .005
4 PLC	± -

ANGLES: ± -

MATERIAL: HOUSING - FLAME RETARDANT THERMOPLASTIC. COLOR - BLACK. POSTS - BRASS.

FINISH: SEE TABLE

REV: H. MOLL 11MAR88, E. TREECE 23MAR88, F. TREECE 23MAR88

NAME: Tyco Electronics Corporation, Harrisburg, PA 17105-3608

PRODUCT SPEC: 108-25016

APPLICATION SPEC: -

SIZE: A1

WEIGHT: -

CUSTOMER DRAWING

SCALE: 4:1

SHEET 1 OF 1

REV K1